

MATERIAL

Glass-fibre reinforced polyamide based (PA) technopolymer.

SCREWS AND NUTS

Two cylindrical head screws with hexagon socket and AISI 316 stainless steel nuts supplied assembled with the two semi-split set collars.

FEATURES AND APPLICATIONS

- Suitable for assembly on idle shafts as end stops, for fixing end limit switches, pulleys, supporting pins or other components.
- They avoid damage to the surfaces of the shaft.
- Anticorrosive material: possibility of use even in the presence of liquids.
- Resistant to several cleaning cycles with solvents and other chemical agents, for this reason they can be used for applications in the pharmaceutical or food industry.

TECHNICAL DATA

Assembly on h7 ± h11 tolerance round shafts.

SPECIAL EXECUTIONS ON REQUEST

Dismountable split set collars with keyway DIN 6885/1 (see page A-16)

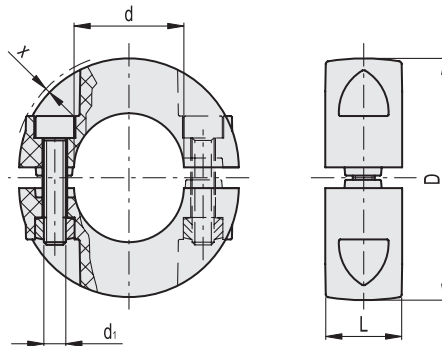
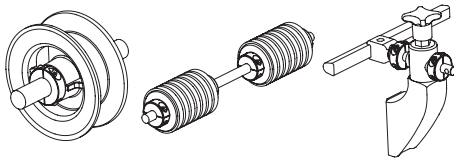
SPECIAL EXECUTIONS ON REQUEST

Dismountable split set collars with keyway DIN 6885/1 tolerance P9 (see page A-16).



ELESA Original design

Application examples



METRIC

Conversion Table	
1 mm = 0.039 inch	
D	
mm	inch
35	1.38
40	1.57
50	1.97
65	2.56
84	3.31
104	4.09

Code	Description	D	L	d	d1	x*	Maximum tightening torque [Nm]	⚖️
319901	ANPS-12	35	13	12	M4	1	2	17
319911	ANPS-14	35	13	14	M4	1	2	16
319921	ANPS-16	35	13	16	M4	1	2	15
319931	ANPS-18	40	14	18	M4	0.75	2	20
319941	ANPS-20	40	14	20	M4	0.75	2	19
319945	ANPS-22	50	14	22	M5	2.40	3	33
319951	ANPS-25	50	14	25	M5	2.40	3	31
319961	ANPS-30	50	14	30	M5	2.40	3	29
319971	ANPS-35	65	14	35	M5	0.15	3	44
319981	ANPS-40	65	14	40	M5	0.15	3	39
319986	ANPS-50	84	18	50	M6	-	5	69
319991	ANPS-70	104	18	70	M6	-	5	83

Standard machine parts